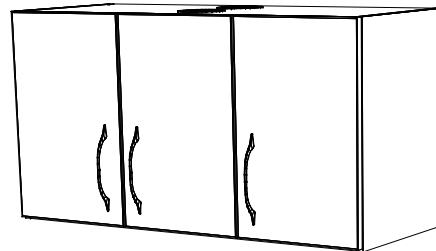


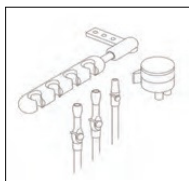


PHONE: (905) 832-8311
 FAX: (905) 832-0732

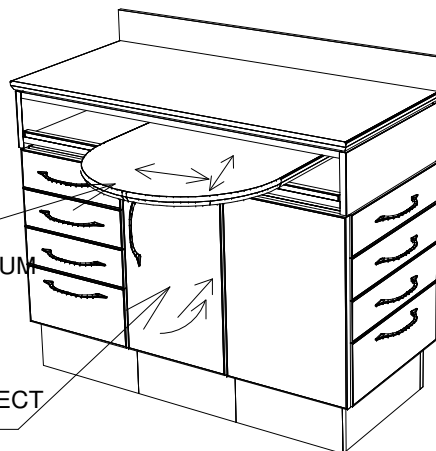
REAR SET-UP MODULAR SERIES



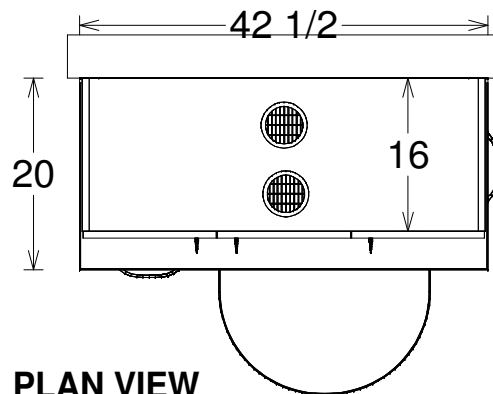
NOTE: WALL HUNG CABINET
 INSTALLATIONS REQUIRE
 PLYWOOD REINFORCEMENT
 BETWEEN NEW OR EXISTING
 WALL STUDS



MCHSVKSQ QUAD BAR VACCUM
 WITH SYRINGE



AIR/WATER QUICK DISCONNECT
 INSIDE



PLAN VIEW

OVERALL DIMENSIONS:

LENGTH: 42 1/2"
DEPTH: 20"
HEIGHT: 76 3/4"

I CONFIRM THIS ORDER
 TO BE CORRECT:

DEALER AUTHORIZED SIGNATORY / DATE

NOTE: PLUMBING & ELECTRICAL SPECS
 WILL BE PROVIDED AT THE TIME OF ORDER

P.O.#

W/O#

START DATE:

ORDER DATE:

APPROX. SHIP:

SET UPS: 9

TOP COLOUR:

-

CAB COLOUR:

-

TOE KICK = LAMINATE

HANDLES: 8" CHROME



PVC EDGE:

HARDWARE: SOFT CLOSE DOORS
 FULL EXTENSION
 SOFT CLOSE DRAWERS

SKETCH #: UQ22355-Q01

OPTIONS INCLUDED:

AIR/WATER QUICK DISCONNECT
 MCHSVKSQ QUAD BAR VACCUM
 WITH SYRINGE

Check Configurator for other
 options

REVISIONS		REVISIONS	
RODOLFO	20 JUN 2014	-	-
-	-	-	-
-	-	-	-