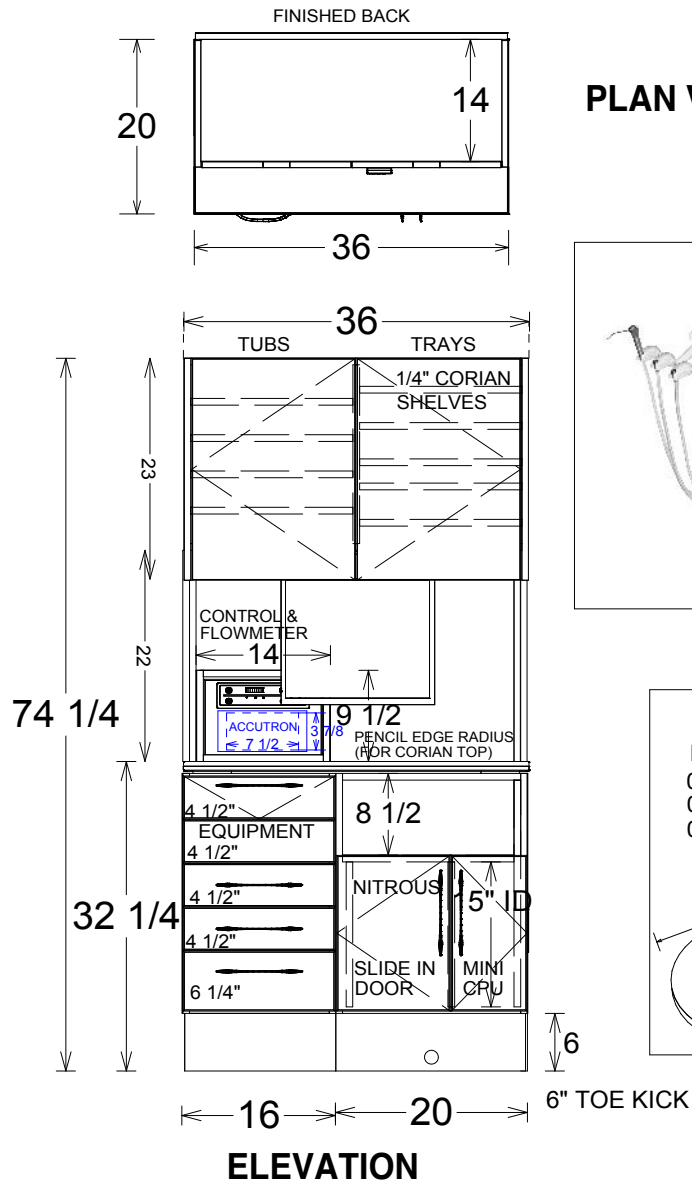


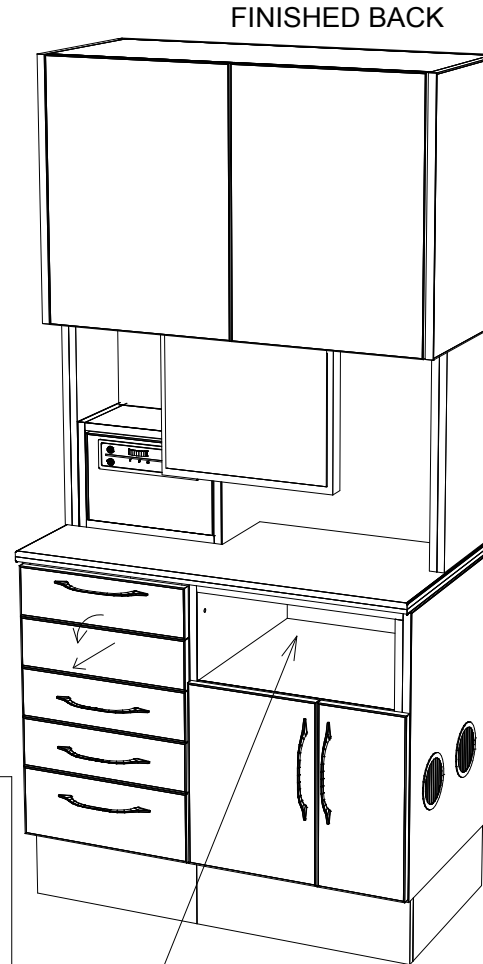
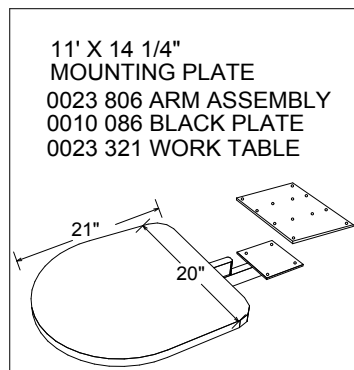


MODIFIED PFR8144 REAR CAB SQUARE FRONTS MODULAR SERIES

PHONE: (905) 832-8311
FAX: (905) 832-0732



PLAN VIEW



ISOMETRIC VIEW

P.O.#
W/O#
START DATE:
ORDER DATE:
APPROX. SHIP:
SET UPS: 4
TOP COLOUR: -
CAB COLOUR: -
ACCENT COLOUR: TOE KICK = ST. STEEL
HANDLES: 8" CHROME
PVC EDGE:
HARDWARE: SOFT CLOSE DOORS FULL EXTENSION SOFT CLOSE DRAWERS
SKETCH #: UQ22312-Q01-2

- OPTIONS INCLUDED:**
- 0010-086 HEAVY DUTY MOUNTING PLATE
 - MC2183
 - FLOATING WORK SURFACE W/ ARM
 - BLACK MOUNTING PLATE

Sliding Monitor Mount not incl.

	REVISIONS		REVISIONS
EM	13 JUN 2014	-	-
EM	17 JUN 2014	-	-
-	-	-	-

NOTE: PLUMBING & ELECTRICAL SPECS WILL BE PROVIDED AT THE TIME OF ORDER