



PHONE: (905) 832-8311
 FAX: (905) 832-0732

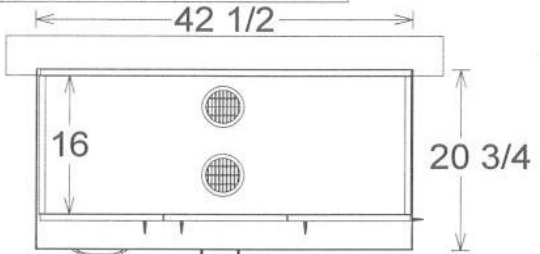
REAR SET-UP MODULAR SERIES

DEALER:
LOC:
DOCTOR:
P.O.#
W/O#
START DATE:
ORDER DATE:
APPROX. SHIP:
SET UPS: 3
TOP COLOUR: CEASARSTONE
-
CAB COLOUR:
TOE KICK = LAMINATE
HANDLES: 5" CHROME

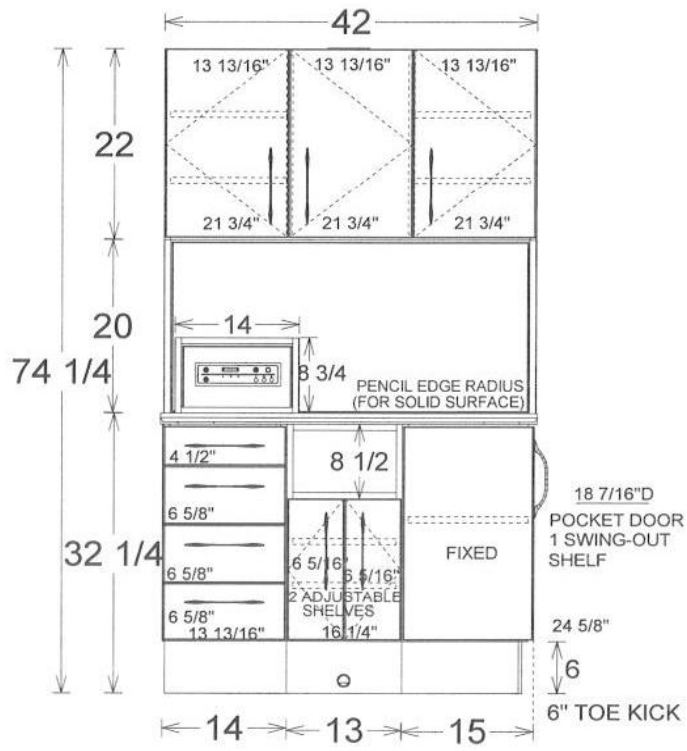
PVC EDGE:
HARDWARE: SOFT CLOSE DOORS FULL EXTENSION SOFT CLOSE DRAWERS
SKETCH #: UQ21715-02

OPTIONS INCLUDED:
 MC2180PK CONTROL & VACUUM

REVISIONS		REVISIONS	
RODOLFO	06 JUN 2014	-	-
-	-	-	-
-	-	-	-



PLAN VIEW

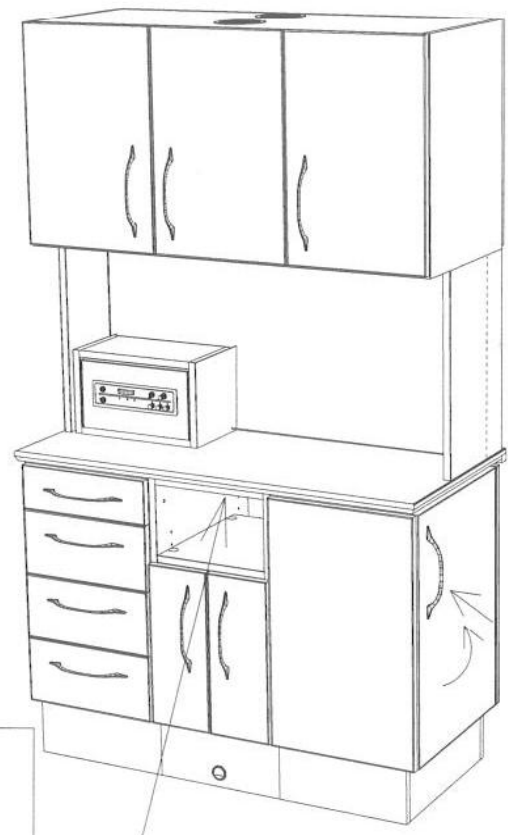


ELEVATION

I CONFIRM THIS ORDER TO BE CORRECT:

 DEALER AUTHORIZED SIGNATORY / DATE

NOTE: PLUMBING & ELECTRICAL SPECS WILL BE PROVIDED AT THE TIME OF ORDER



MC2180PK CONTROL & VACUUM