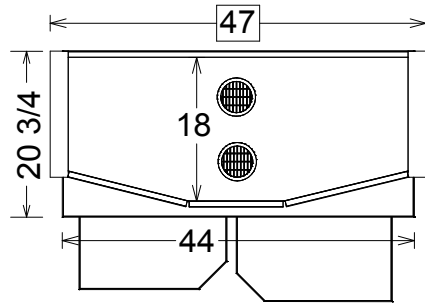


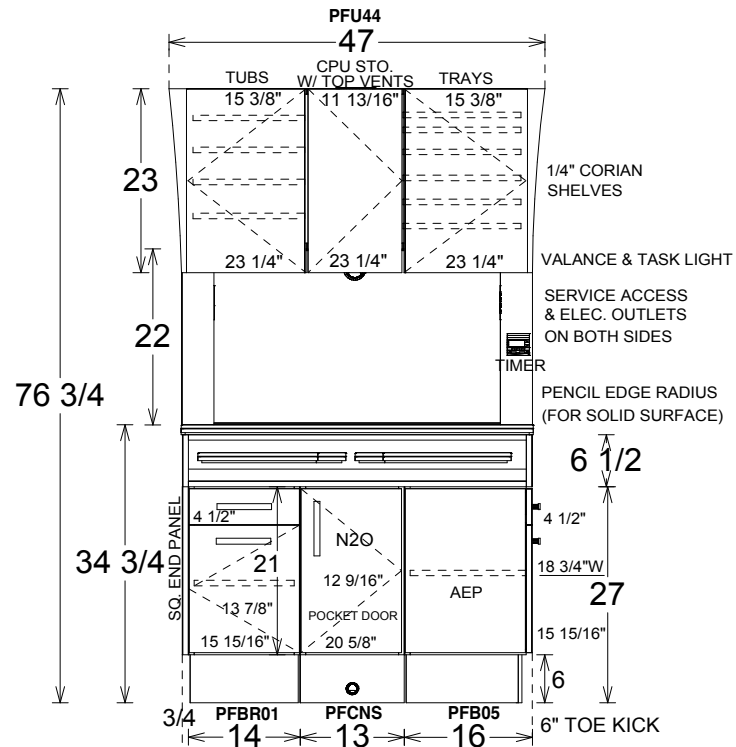


PFRDS7644 MARQUIS STYLE

PHONE: (905) 832-8311
FAX: (905) 832-0732

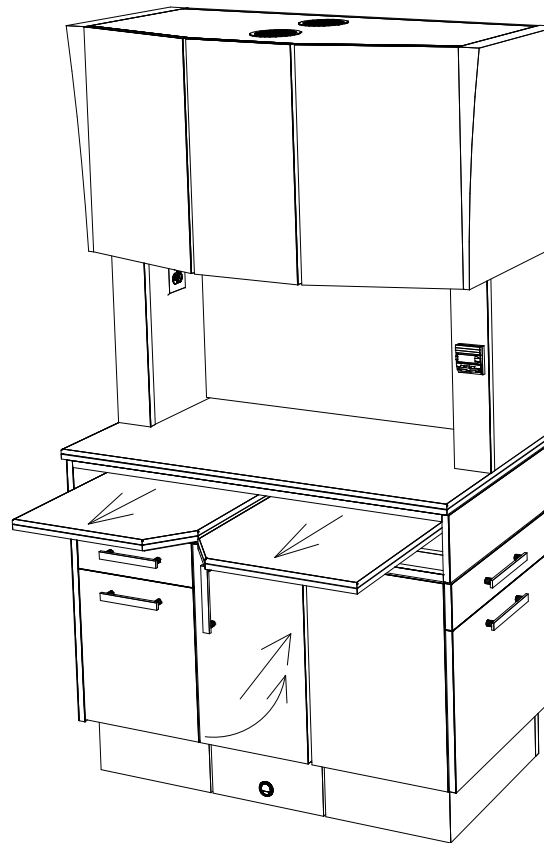


PLAN VIEW



ELEVATION

FINISHED BACK



ISOMETRIC VIEW

DEALER:
LOC:
DOCTOR:
P.O.#
W/O#
START DATE:
ORDER DATE:
APPROX. SHIP:
SET UPS:
TOP COLOUR: -
CAB COLOUR: -
ACCENT COLOUR: TOE KICK = ST. STEEL
HANDLES: 7" CHROME
PVC EDGE:
HARDWARE: SOFT CLOSE DOORS FULL EXTENSION SOFT CLOSE DRAWERS
SKETCH #: -

OPTIONS INCLUDED:
MPTL24 TASK LIGHT 24"

REVISIONS		REVISIONS	
-	-	-	-
-	-	-	-
-	-	-	-

NOTE: PLUMBING & ELECTRICAL SPECS WILL BE PROVIDED AT THE TIME OF ORDER