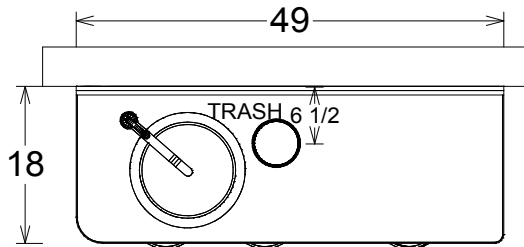


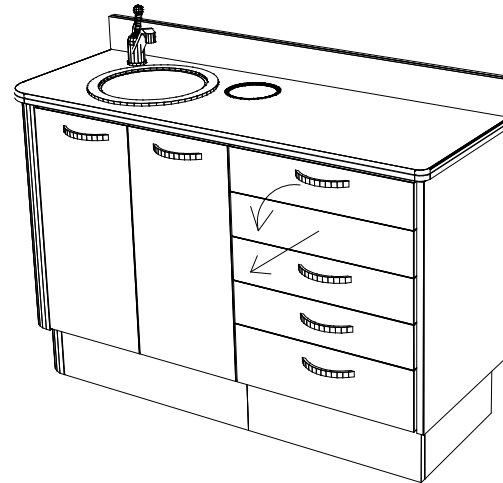


PFS400

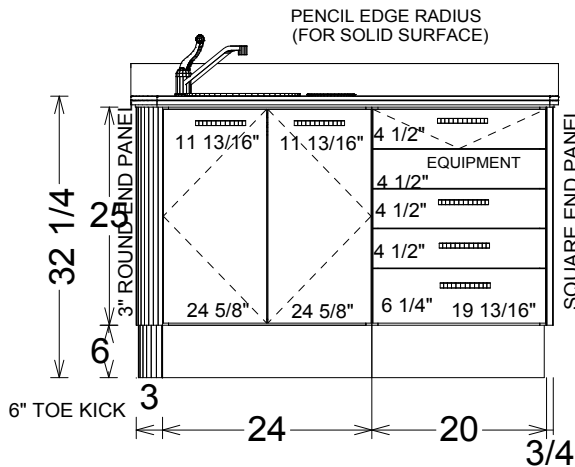
PHONE: (905) 832-8311
 FAX: (905) 832-0732



PLAN VIEW



ISOMETRIC VIEW



ELEVATION

DEALER:
LOC:
DOCTOR:
P.O.#
W/O#
START DATE:
ORDER DATE:
APPROX. SHIP:
SET UPS:
TOP COLOUR: -
CAB COLOUR: -
ACCENT COLOUR: TOE KICK = ST. STEEL
HANDLES: 5" CHROME
PVC EDGE:
HARDWARE: SOFT CLOSE DOORS FULL EXTENSION SOFT CLOSE DRAWERS
SKETCH #: -

- OPTIONS INCLUDED:**
- MP-1R ROUND ST.ST. SINK
 - MP-2 CH SINGLE LEVER FAUCET
 - MB-5R STD WASTE PAIL
 - MB-11 COUNTER WASTE DROP

	REVISIONS	REVISIONS	REVISIONS
-	-	-	-
-	-	-	-
-	-	-	-

NOTE: PLUMBING & ELECTRICAL SPECS WILL BE PROVIDED AT THE TIME OF ORDER