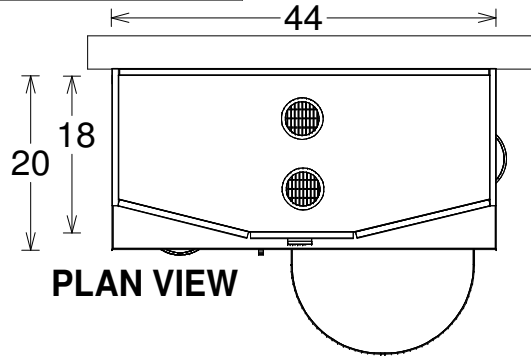


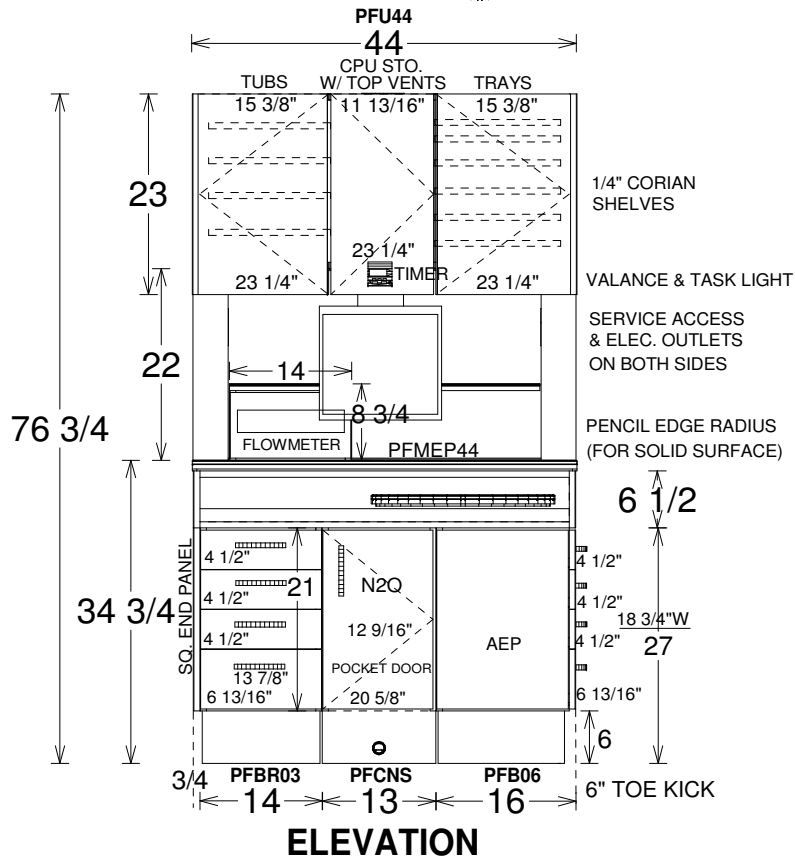


PFRMS7644

PHONE: (905) 832-8311
FAX: (905) 832-0732



PLAN VIEW



ELEVATION

NO FINISHED BACK AGAINST WALL



ISOMETRIC VIEW



MC1055Q VAC PAC & MCHVE1

NOTE: PLUMBING & ELECTRICAL SPECS WILL BE PROVIDED AT THE TIME OF ORDER

DEALER:
LOC:
DOCTOR:
P.O.#
W/O#
START DATE:
ORDER DATE:
APPROX. SHIP:
SET UPS: 1
TOP COLOUR: -
CAB COLOUR: -
ACCENT COLOUR: TOE KICK = ST. STEEL
HANDLES: 5" CHROME
PVC EDGE:
HARDWARE: SOFT CLOSE DOORS FULL EXTENSION SOFT CLOSE DRAWERS
SKETCH #: CQ17143-Q02-2

OPTIONS INCLUDED:

- MPTL24 TASK LIGHT 24"
- MCCPN502 SLIDING MONITOR MOUNT
- MC1055Q VAC PAC (HVE, SE, A/W SYR)
- MCHVE1 HVE
- MCSCWM1 CLEAN WATER

	REVISIONS	REVISIONS	REVISIONS
RODOLFO	19 DEC 2011	-	-
RODOLFO	20 DEC 2011	-	-
RODOLFO	19 APR 2012	-	-