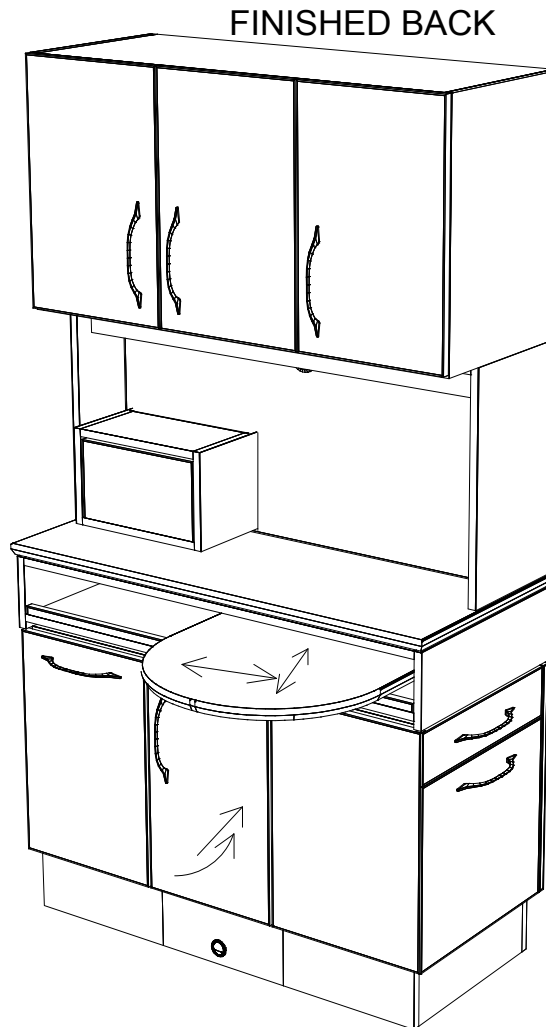
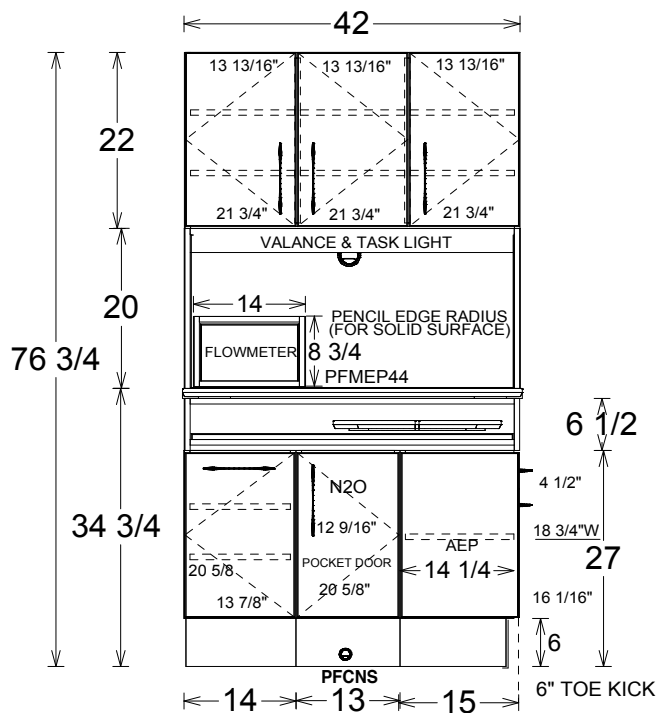
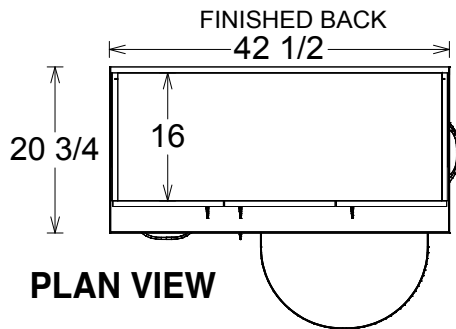





PHONE: (905) 832-8311
 FAX: (905) 832-0732

REAR SET-UP MODULAR SERIES (REF# UQ22568-04)



████████████████████
 ████████████████████
 ████████████████████

P.O.#
 W/O#
 START DATE:
 ORDER DATE:
 APPROX. SHIP:
 SET UPS: 1
 TOP COLOUR:
 -
 CAB COLOUR:
 -
TOE KICK = LAMINATE
HANDLES: 5" CHROME

 PVC EDGE:
 HARDWARE: SOFT CLOSE DOORS
 FULL EXTENSION
 SOFT CLOSE DRAWERS
SKETCH #: UQ23624-Q01

OPTIONS INCLUDED:
 MPTL24L TASK LIGHT 24" LED

ELEVATION

I CONFIRM THIS ORDER TO BE CORRECT:

 DEALER AUTHORIZED SIGNATORY / DATE

NOTE: PLUMBING & ELECTRICAL SPECS WILL BE PROVIDED AT THE TIME OF ORDER

REVISIONS		REVISIONS	
EM	13 JAN 2015	-	-
-	-	-	-
-	-	-	-