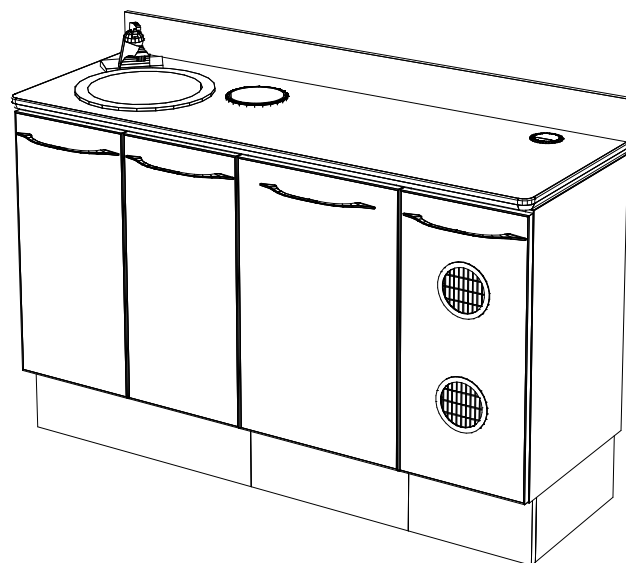


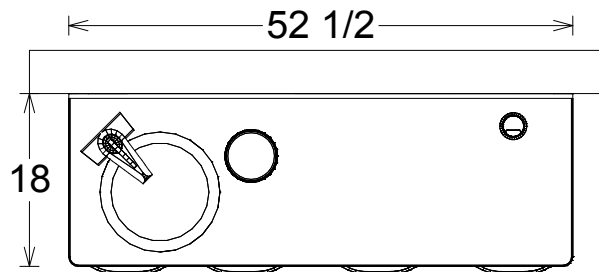


PHONE: (905) 832-8311  
 FAX: (905) 832-0732

# MODULAR SIDE SETUP SQUARE FRONTS



**ISOMETRIC VIEW**



**PLAN VIEW**

████████████████████  
 ████████████████████  
 ████████████████████

P.O.#

W/O#

START DATE:

ORDER DATE:

APPROX. SHIP:

SET UPS: 1

TOP COLOUR:  
 -

CAB COLOUR:  
 -

TOE KICK = ST. STEEL

HANDLES: 5" CHROME  


PVC EDGE:

HARDWARE: SOFT CLOSE DOORS  
 FULL EXTENSION  
 SOFT CLOSE DRAWERS

SKETCH #: UQ23624-Q02

**OPTIONS INCLUDED:**  
 MP-1R ROUND ST.ST. SINK  
 MP2M SINGLE LEVER FAUCET  
 MB-5R STD WASTE PAIL  
 MB-11 COUNTER WASTE DROP

I CONFIRM THIS ORDER TO BE CORRECT: \_\_\_\_\_  
 DEALER AUTHORIZED SIGNATORY / DATE

NOTE: PLUMBING & ELECTRICAL SPECS WILL BE PROVIDED AT THE TIME OF ORDER

REVISIONS		REVISIONS	
EM	13 JAN 2015	-	-
-	-	-	-
-	-	-	-