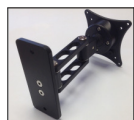




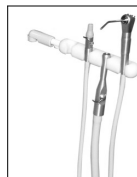
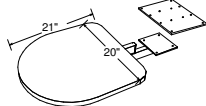
PHONE: (905) 832-8311
 FAX: (905) 832-0732

REAR SET-UP 2 MODULAR SERIES

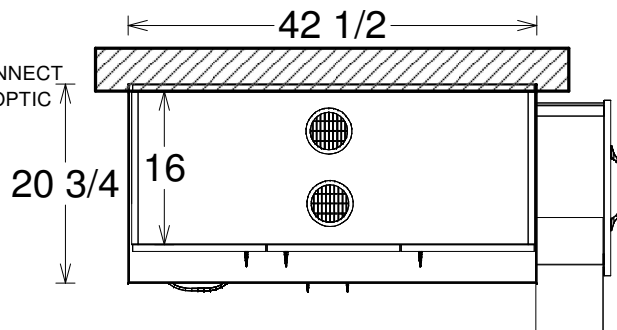
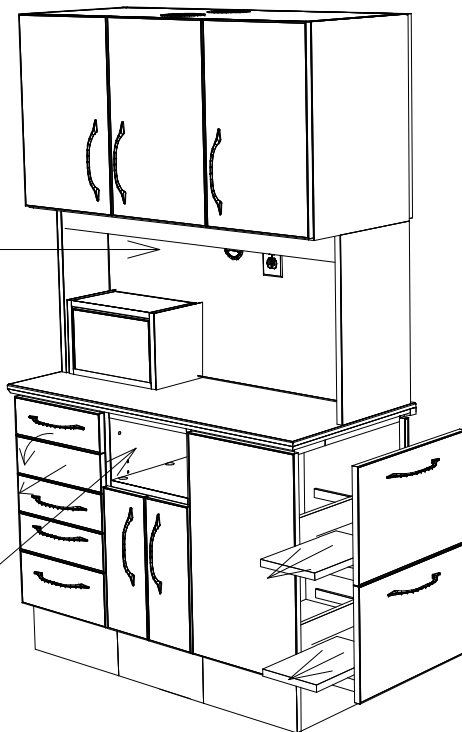


MCGX270 PIVOTING MONITOR

11" X 14 1/4"
 MOUNTING PLATE
 0023 806 ARM ASSEMBLY
 0010 086 BLACK PLATE
 21" X 20" WORK TABLE



MCHSVK3 VACUUM
 ADDITIONAL HVE
 FAQD38 AIR QUICK DISCONNECT
 MC1HPFO-6 1 6PIN FIBER OPTIC



PLAN VIEW

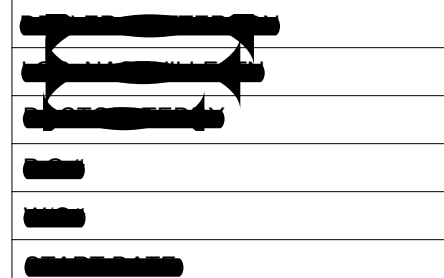
OVERALL DIMENSIONS:

LENGTH: 42 1/2"
DEPTH: 20 3/4"
HEIGHT: 74 1/4"

I CONFIRM THIS ORDER
 TO BE CORRECT:

DEALER AUTHORIZED SIGNATORY / DATE

NOTE: PLUMBING & ELECTRICAL SPECS
 WILL BE PROVIDED AT THE TIME OF ORDER



ORDER DATE:

APPROX. SHIP:

SET UPS: 1

TOP COLOUR:

CAB COLOUR:

TOE KICK = LAMINATE

HANDLES: 5" BRUSHED NICKEL



PVC EDGE:

HARDWARE: SOFT CLOSE DOORS
 FULL EXTENSION
 SOFT CLOSE DRAWERS

SKETCH #: UQ25342-Q02-1

OPTIONS INCLUDED:

- MPTL24L TASK LIGHT 24" LED
- MCGX270 PIVOTING MONITOR
- MCHSVK3 VACUUM
- ADDITIONAL HVE
- MP13GFIKT POWER OUTLET
- FAQD38 AIR QUICK DISCONNECT
- MC1HPFO-6 1 6PIN FIBER OPTIC

REVISIONS		REVISIONS	
RODOLFO	09 SEP 2015	-	-
RODOLFO	10 SEP 2015	-	-
-	-	-	-